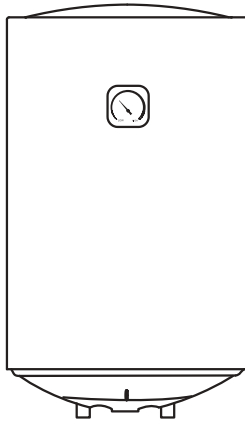




INSTRUCTION MANUAL

SEALED STORAGE ELECTRIC WATER HEATER

Model: OHTC30
OHTC50
OHTC80
OHTC100



The diagram above is just for reference. Please take the appearance of the actual product as the standard.

General Remark

- The installation and maintenance has to be carried out by qualified professionals or authorized technicians.
- The manufacturer shall not be held responsible for any damage or malfunction caused by wrong installation or failing to comply with following instructions included in this pamphlet.
- For more detailed installation and maintenance guidelines, please refer to below chapters.

TABLE OF CONTENTS

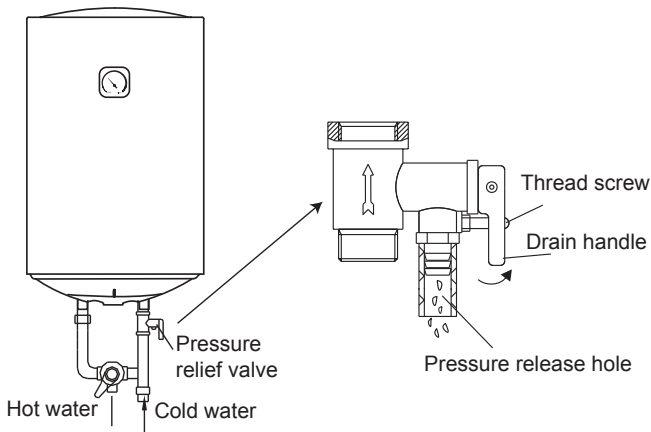
<u>TITLE</u>	<u>PAGE</u>
1.CAUTIONS	(2)
2.PRODUCT INTRODUCTION	(3)
3.UNIT INSTALLATION	(5)
4.METHODS OF USING	(7)
5.MAINTENANCE	(7)
6.TROUBLESHOOTING	(8)
7.PRODUCE INFORMATION WITH EU REGULATION	(9)
8.DESCRPTION TO ANNEX I	(13)

1. CAUTIONS

Before installing this water heater, check and confirm that the earthing on the supply socket is reliably grounded. Otherwise, the electrical water heater can not be installed and used. Do not use extension boards. Incorrect installation and use of this electrical water heater may result in serious injuries and loss of property.

Special Cautions

- The supply socket must be earthed reliably. The rated current of the socket shall not be lower than 10A. The socket and plug shall be kept dry to prevent electrical leakage. Inspect frequently whether the plugs contact well with the socket. Inspect method is as follows: insert the power supply plug into socket, after using for half an hour, shut down the unit and pull the plug out, and inspect the plug whether it scalds hand. If it scalds (over 50 °C), please change another well-contacted socket to avoid the plug being damaged, fire or other personnel accidents result from bad-contacting.
- The installation height of the supply socket shall not be lower than 1.8m.
- The wall in which the electrical water heater is installed shall be able to bear the load more than two times of the heater filled fully with water without distortion and cracks. Otherwise, other strengthening measures shall be adopted.
- The pressure relief valve attached with the heater must be installed at the cold water inlet of this heater (see Fig.1), and make sure it is not exposed in the foggy. The water may be outflowed from pressure relief valve, so the outflow pipe must open wide in the air; The pressure relief valve need to be checked and cleaned regularly, so as to make sure it will not be blocked.



(Fig.1)

- When using the heater for the first time (or the first use after maintenance), the heater can not be switched on until it has been filled fully with water. When filling the water, at least one of the outlet valves at the outlet of the heater must be opened to exhaust the air. This valve can be closed after the heater has been filled fully with water.
- The water heater is not intended for use by persons (including children) with reduced physical, sensory or mental capabilities, or lack of experience and knowledge, unless they have been given supervision or instructions concerning use of the appliance by a person responsible for their safety. Children should be supervised to ensure that they do not play with the heater.

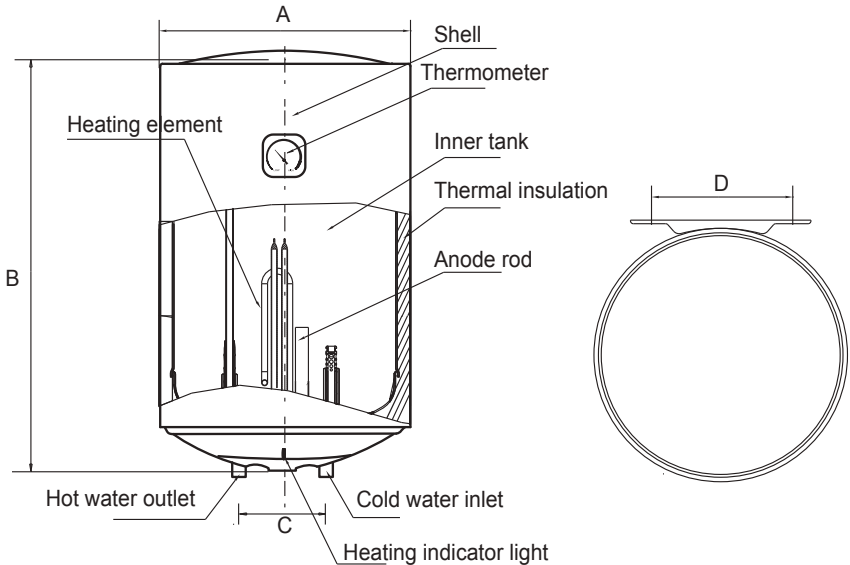
- During heating, there may be drops of water dripping from the pressure release hole of the multifunction valves. This is a normal phenomenon. If there is a large amount of water leak, please contact customer care center for repair. This pressure release hole shall, under no circumstances, be blocked; otherwise, the heater may be damaged, even resulting in accidents.
- The drainage pipe connected to the pressure release hole must be kept sloping downwards.
- Since the water temperature inside the heater can reach up to 75 °C, the hot water must not be exposed to human bodies when it is initially used. Adjust the water temperature to a suitable temperature to avoid scalding.
- Unscrew the thread screw on the multifunction safety valve, and lift the drain handle upwards. (See Fig.1) to drain the water from the inner tank.
- If the flexible power supply cord is damaged, the special supply cord provided by the manufacturer must be selected, and replaced by the professional maintenance personnel.
- If any parts and components of this electrical water heater are damaged please contact customer care center for repair.
- This appliance is not intended for use by persons (including children) with reduced physical, sensory or mental capabilities, or lack of experience and knowledge, unless they have been given supervision or instruction concerning use of the appliance by a person responsible for their safety.
- Children should be supervised to ensure that they do not play with the appliance.

2. PRODUCT INTRODUCTION

2.1 Technical Performance Parameters

Model	Volume (L)	Rated Power (W)	Rated Voltage (ACV)	Rated Pressure (MPa)	Max Of Water Temperature (°C)	Protection Class	Water Proof Class
OHTC30	30	1500	220-240	0.75	75	I	IPX4
OHTC50	50	1500	220-240	0.75	75	I	IPX4
OHTC80	80	1500	220-240	0.75	75	I	IPX4
OHTC100	100	1500	220-240	0.75	75	I	IPX4

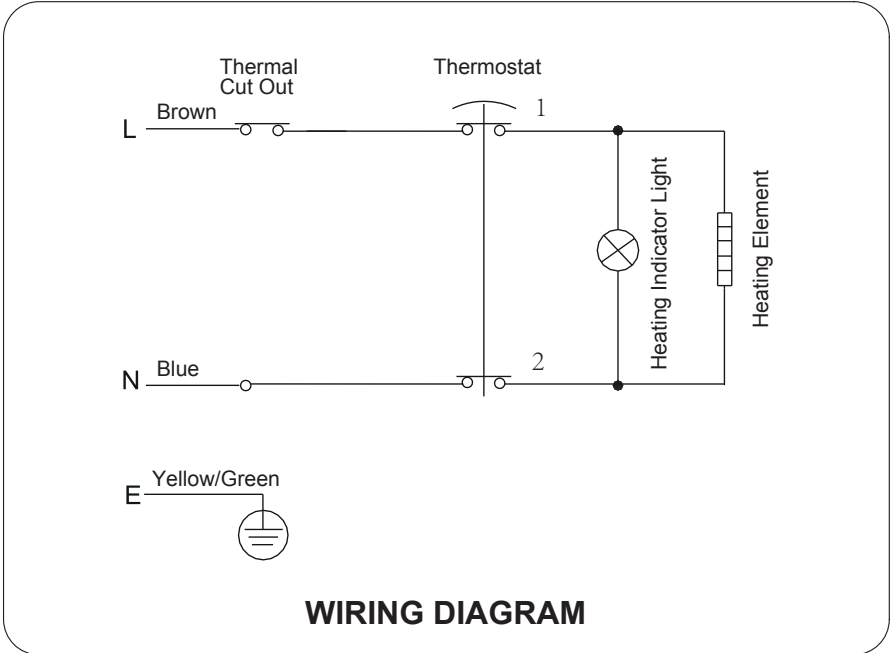
2.2 Brief introduction of product structure



	OHTC30	OHTC50	OHTC80	OHTC100
A	340	385	450	450
B	594	760	809	974
C	100	100	100	100
D	200	200	200	200

(Note:All dimensions are in mm)

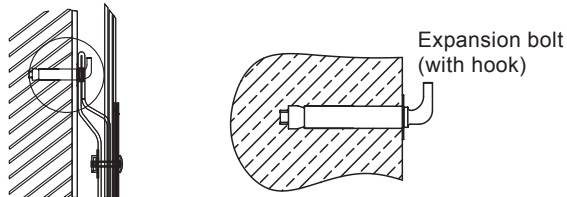
2.3 Internal Wire Diagram



3. UNIT INSTALLATION

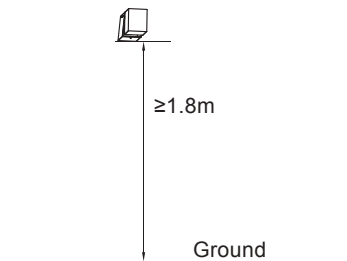
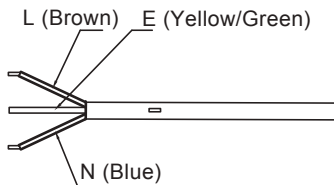
3.1 Installation Instruction

- ① This electrical water heater shall be installed on a solid wall. If the strength of the wall cannot bear the load equal to two times of the total weight of the heater filled fully with water, it is then necessary to install a special support.
In case of hollow bricks wall, ensure to fill it with cement concrete completely.
- ② After selecting a proper location, determine the positions of the two install holes used for expansion bolts with hook (determined according to the specification of the product you select). Make two holes in the wall with the corresponding depth by using a chopping bit with the size matching the expansion bolts attached with the machine, insert the screws, make the hook upwards, tighten the nuts to fix firmly, and then hang the electric water heater on it (see Fig.2).



(Fig.2)

- ③ Install the supply socket in the wall. The requirements for the socket are as follows: 250V/10A, single phase, three electrodes. It is recommended to place the socket on the right above the heater. The height of the socket to the ground shall not be less than 1.8m (see Fig.3). If there is a fault on the power cable, it should be replaced by the manufacturer, agencies or qualified person who is able to do this so as to ensure safety.

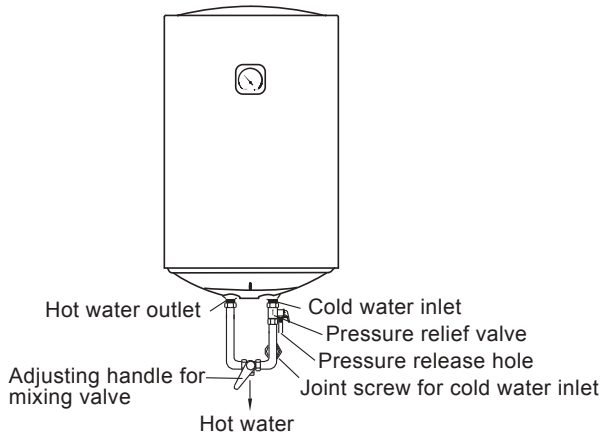


(Fig.3)

- ④ If the bathroom is too small, the heater can be installed at another place without sun-scorched and rain-drenched. However, in order to reduce the pipeline heat losses, the installation position of the heater shall be as close to the location as possible to the heater.

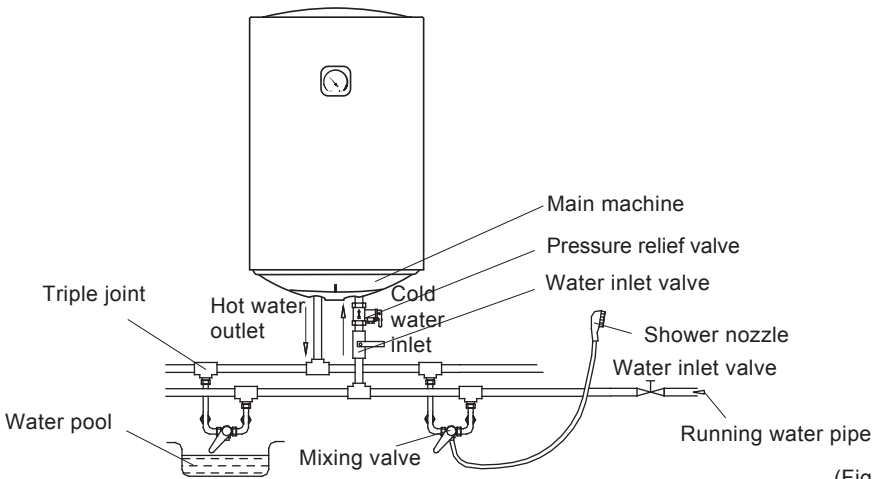
3.2 Pipelines Connection

- ① The dimension of each pipe part is G1/2"; The massive pressure of inlet should use Pa as the unit; The minimum pressure of inlet should use Pa as the unit.
- ② Connection of pressure relief valve with the heater on the inlet of the water heater.
- ③ In order to avoid leakage when connecting the pipelines, the rubber seal gaskets provided with the heater must be added at the end of the threads to ensure leak proof joints (see Fig.4).



(Fig.4)

- ④ If the users want to realize a multi-way supply system, refer to the method shown in fig.5 for connection of the pipelines.



(Fig.5)



NOTE

Please be sure to use the accessories provided by our company to install this electric water heater. This electric water heater can not be hung on the support until it has been confirmed to be firm and reliable. Otherwise, the electric water heater may drop off from the wall, resulting in damage of the heater, even serious accidents of injury. When determining the locations of the bolt holes, it shall be ensured that there is a clearance not less than 0.2m on the right side of the electric heater, to convenient the maintenance of the heater, if necessary.

4. METHODS OF USING

- First, open any one of the outlet valves at the outlet of the water heater, then, open the inlet valve. The water heater gets filled with water. When water flows out of the outlet pipe it implies that the heater has been filled fully with water, and the outlet valve can be closed.



NOTE

During normal operation, the inlet valve shall be always kept open.

- Insert the supply plug into the supply socket, the two indicator lights will light up this time.
- The thermostat will automatically control the temperature. When the water temperature inside the heater has reached the set temperature, it will switch off automatically, when the water temperature falls below the set point the heater will be turned on automatically to restore the heating.

5. MAINTENANCE



WARNING

Do cut off power supply before maintenance, to avoid danger like electric shock.

- Check the power plug and outlet as often as possible. Secure electrical contact and also proper grounding must be provided. The plug and outlet must not heat excessively.
- If the heater is not used for a long time, especially in regions with low air temperature (below 0 °C), it is necessary to drain water from the heater to prevent damage of the water heater, due to water freezing in the internal tank. (Refer Cautions in this manual for the method to drain away the water from the inner container).
- To ensure long reliable water heater operation, it is recommended to regularly clean the internal tank and remove deposits on the electric heating element of the water heater, as well as check condition (fully decomposed or not) of the magnesium anode and, if necessary, replace it with a new one in case of full decomposition. Tank cleaning frequency depends on hardness of water located in this territory. Cleaning must be performed by special maintenance services. You can ask the seller for address of the nearest service center.

6. TROUBLESHOOTING

Failures	Reasons	Treatment
The heating indicator light is off.	Failures of the temperature controller.	Contact with the professional personnel for repair.
No water coming out of the hot water outlet.	<ol style="list-style-type: none">1. The running water supply is cut off.2. The hydraulic pressure is too low.3. The inlet valve of running water is not open.	<ol style="list-style-type: none">1. Wait for restoration of running water supply.2. Use the heater again when the hydraulic pressure is increased.3. Open the inlet valve of running water.
The water temperature is too high.	Failures of the temperature control system.	Contact with the professional personnel for repair.
Water leak.	Seal problem of the joint of each pipe.	Seal up the joints.



NOTE

Parts illustrated in this use and care manual are indicative only, parts provided with the product may differ with illustrations. This product is intended for household use only. Specifications are subject to change without notice.

7. PRODUCE INFORMATION WITH EU REGULATION

The electrical storage water heater **OHTC30** of the company **Candy Hoover Group srl** was tested with a declared load profile of the size **“S”**

The product fulfills and corresponds to the requirements of the commission regulation standards (No 814/2013) for electrical storage water heater and achieved a water heating energy efficiency of

$$\eta_{wh}=32\%$$

that correspond to the water heating efficiency class **“C”**

In accordance with Annex II Energy Efficiency Classes article 1 of the commission regulation (No 812/2013)

The evaluation of the result of this report with respect of conformity with the related commission regulation (No 812/2013 and 814/2019) is only a part of the conformity assessment to achieve the ErP-Label.

Electricity consumption Q_{elec} , water heating energy efficiency η_{wh} and mixed water at 40 °C (V40)

Description	Parameter	Value	Unit
k-Value	k	0.23	
Smart control compliance	smart	0	
Smart control factor	SCF	0	
Conversion coefficient	CC	2.5	
Ambient correction term	Q_{cor}	-0.391	kWh
Referent energy	Q_{ref}	2.1	kWh
Useful energy content	Q_{H2O}	2.137	kWh
Correction ratio of reference and useful energy	Q_{ref}/Q_{H2O}	0.983	kWh
Daily electricity consumption (measured)	Q_{test_elec}	3.003	kWh
Water temperature at the beginning of the 24h measurement cycle	T3	63.3	°C
Water temperature at the end of the 24h measurement cycle	T5	68.3	°C
Storage volume	M_{act}	30.1	kg
Storage volume	C_{act}	30.1	L
Daily electricity consumption (corrected)	Q_{elec}	2.779	kWh
Water heating energy efficiency	η_{wh}	32.0	
Annual Electricity Consumption	AEC	576	kWh
Water heating energy efficiency class		C	
Water temperature without tapping	T_{set}	63	°C
Average water temperature of outlet warm water	θ'_p	62.6	°C
Average water temperature of inlet cold water	θ_c	10.4	°C
Normalised value of the average temperature	θ_p	62.6	°C
Volume that delivered water of at least 40 °C	V_{40exp}	25	L
Calculated volume that delivered hot water of at least 40 °C	V_{40}	44	L

The electrical storage water heater **OHTC50** of the company **Candy Hoover Group srl** was tested with a declared load profile of the size “**M**”

The product fulfills and corresponds to the requirements of the commission regulation standards (No 814/2013) for electrical storage water heater and achieved a water heating energy efficiency of

$\eta_{wh}=36\%$

that correspond to the water heating efficiency class “**C**”

In accordance with Annex II Energy Efficiency Classes article 1 of the commission regulation (No 812/2013)

The evaluation of the result of this report with respect of conformity with the related commission regulation (No 812/2013 and 814/2019) is only a part of the conformity assessment to achieve the ErP-Label.

Electricity consumption Q_{elec} , water heating energy efficiency η_{wh} and mixed water at 40 °C (V40)

Description	Parameter	Value	Unit
k-Value	k	0.23	
Smart control compliance	smart	0	
Smart control factor	SCF	0	
Conversion coefficient	CC	2.5	
Ambient correction term	Q_{cor}	-0.480	kWh
Referent energy	Q_{ref}	5.845	kWh
Useful energy content	Q_{H2O}	5.945	kWh
Correction ratio of reference and useful energy	Q_{ref}/Q_{H2O}	0.983	kWh
Daily electricity consumption (measured)	Q_{test_elec}	6.963	kWh
Water temperature at the beginning of the 24h measurement cycle	T3	63	°C
Water temperature at the end of the 24h measurement cycle	T5	65.9	°C
Storage volume	M_{act}	50.1	kg
Storage volume	C_{act}	50.1	L
Daily electricity consumption (corrected)	Q_{elec}	6.680	kWh
Water heating energy efficiency	η_{wh}	36.0	
Annual Electricity Consumption	AEC	1425	kWh
Water heating energy efficiency class		C	
Water temperature without tapping	T_{set}	63	°C
Average water temperature of outlet warm water	θ'_p	62.3	°C
Average water temperature of inlet cold water	θ_c	10.5	°C
Normalised value of the average temperature	θ_p	62.3	°C
Volume that delivered water of at least 40 °C	V_{40exp}	40	L
Calculated volume that delivered hot water of at least 40 °C	V_{40}	69	L

The electrical storage water heater **OHTC80** of the company **Candy Hoover Group srl** was tested with a declared load profile of the size **“M”**

The product fulfills and corresponds to the requirements of the commission regulation standards (No 814/2013) for electrical storage water heater and achieved a water heating energy efficiency of

$\eta_{wh}=36\%$

that correspond to the water heating efficiency class **“C”**

In accordance with Annex II Energy Efficiency Classes article 1 of the commission regulation (No 812/2013)

The evaluation of the result of this report with respect of conformity with the related commission regulation (No 812/2013 and 814/2019) is only a part of the conformity assessment to achieve the ErP-Label.

Electricity consumption Q_{elec} , water heating energy efficiency η_{wh} and mixed water at 40 °C (V40)

Description	Parameter	Value	Unit
k-Value	k	0.23	
Smart control compliance	smart	0	
Smart control factor	SCF	0	
Conversion coefficient	CC	2.5	
Ambient correction term	Q_{cor}	-0.476	kWh
Referent energy	Q_{ref}	5.845	kWh
Useful energy content	Q_{H2O}	5.949	kWh
Correction ratio of reference and useful energy	Q_{ref}/Q_{H2O}	0.983	kWh
Daily electricity consumption (measured)	Q_{test_elec}	7.986	kWh
Water temperature at the beginning of the 24h measurement cycle	T3	63.3	°C
Water temperature at the end of the 24h measurement cycle	T5	76.1	°C
Storage volume	M_{act}	80.2	kg
Storage volume	C_{act}	80.2	L
Daily electricity consumption (corrected)	Q_{elec}	6.673	kWh
Water heating energy efficiency	η_{wh}	36.1	
Annual Electricity Consumption	AEC	1424	kWh
Water heating energy efficiency class		C	
Water temperature without tapping	T_{set}	63	°C
Average water temperature of outlet warm water	θ'_p	62.4	°C
Average water temperature of inlet cold water	θ_c	10.4	°C
Normalised value of the average temperature	θ_p	62.4	°C
Volume that delivered water of at least 40 °C	V_{40exp}	52	L
Calculated volume that delivered hot water of at least 40 °C	V_{40}	91	L

The electrical storage water heater **OHTC100** of the company **Candy Hoover Group srl** was tested with a declared load profile of the size **“M”**

The product fulfills and corresponds to the requirements of the commission regulation standards (No 814/2013) for electrical storage water heater and achieved a water heating energy efficiency of

$\eta_{wh}=36\%$

that correspond to the water heating efficiency class **“C”**

In accordance with Annex II Energy Efficiency Classes article 1 of the commission regulation (No 812/2013)

The evaluation of the result of this report with respect of conformity with the related commission regulation (No 812/2013 and 814/2019) is only a part of the conformity assessment to achieve the ErP-Label.

Electricity consumption Q_{elec} , water heating energy efficiency η_{wh} and mixed water at 40 °C (V40)

Description	Parameter	Value	Unit
k-Value	k	0.23	
Smart control compliance	smart	0	
Smart control factor	SCF	0	
Conversion coefficient	CC	2.5	
Ambient correction term	Q_{cor}	-0.456	kWh
Referent energy	Q_{ref}	5.845	kWh
Useful energy content	Q_{H2O}	5.952	kWh
Correction ratio of reference and useful energy	Q_{ref}/Q_{H2O}	0.982	kWh
Daily electricity consumption (measured)	Q_{test_elec}	8.972	kWh
Water temperature at the beginning of the 24h measurement cycle	T3	46.1	°C
Water temperature at the end of the 24h measurement cycle	T5	64.9	°C
Storage volume	M_{act}	101.2	kg
Storage volume	C_{act}	101.2	L
Daily electricity consumption (corrected)	Q_{elec}	6.638	kWh
Water heating energy efficiency	η_{wh}	36.2	
Annual Electricity Consumption	AEC	1418	kWh
Water heating energy efficiency class		C	
Water temperature without tapping	T_{set}	46	°C
Average water temperature of outlet warm water	θ'_p	45.4	°C
Average water temperature of inlet cold water	θ_c	10.3	°C
Normalised value of the average temperature	θ_p	45.4	°C
Volume that delivered water of at least 40 °C	V_{40exp}	74	L
Calculated volume that delivered hot water of at least 40 °C	V_{40}	87	L

8. DESCRIPTION TO ANNEX I



DESCRIPTION TO ANNEX I

- (1) supplier's name or trade mark
- (2) supplier's model identifier
- (3) the declared load profile, expressed by the appropriate letter and typical usage in accordance with Table 3 of Annex VI
- (4) the water heating energy efficiency class of the model, determined in accordance with point 1 of Annex II
- (5) the water heating energy efficiency in %, rounded to the nearest integer
- (6) the annual electricity consumption in kWh in terms of final energy and/or the annual fuel consumption in GJ in terms of GCV, rounded to the nearest integer and calculated in accordance with point 4 of Annex VIII
- (7) the thermostat temperature settings of the water heater, as placed on the market
- (8) the daily electricity consumption Q_{elec} in kWh, rounded to three decimal places
- (9) the declared load profile, expressed by the appropriate letter in accordance with Table 1 of this Annex
- (10) the mixed water at 40 °C V40 in litres, rounded to the nearest integer
- (11) maximum temperature of the thermostat
- (12) 'out of the box-mode' is the standard operating condition, setting or mode set by the manufacturer at factory level, to be active immediately after the appliance installation, suitable for normal use by the end-user according to the water tapping pattern for which the product has been designed and placed on the market
- (13) the water heating energy efficiency in %, rounded to one decimal place
- (14) All specific precautions for assembly, installation and maintenance are described in the operating and installation instructions. Read and follow the operating and installation instructions.
- (15) All of the data that is included in the product information was determined by applying the specifications of the relevant European directives. Differences to product information listed elsewhere may result in different test conditions. Only the data that is contained in this product information is applicable and valid.

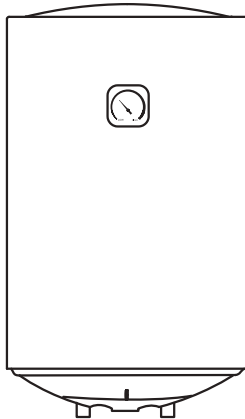
The product is subject to change without notice.
Please keep this manual properly.

Otsein

MANUAL DE OPERACIÓN

TERMO ELÉCTRICO

Modelo: OHTC30
OHTC50
OHTC80
OHTC100



El diagrama que aparece es solo para referencia.
Sirvase tomar la apariencia del producto como un modelo estándar

Observaciones Generales

- La instalación y el mantenimiento de este aparato deben ser realizados por personal calificado o técnicos autorizados.
- El fabricante no se responsabiliza por cualquier daño o mal funcionamiento causado por una instalación incorrecta o por no cumplir las instrucciones detalladas en este manual.
- Para obtener instrucciones más detalladas y pautas de mantenimiento, sirvase revisar los siguientes capítulos.

CONTENIDO

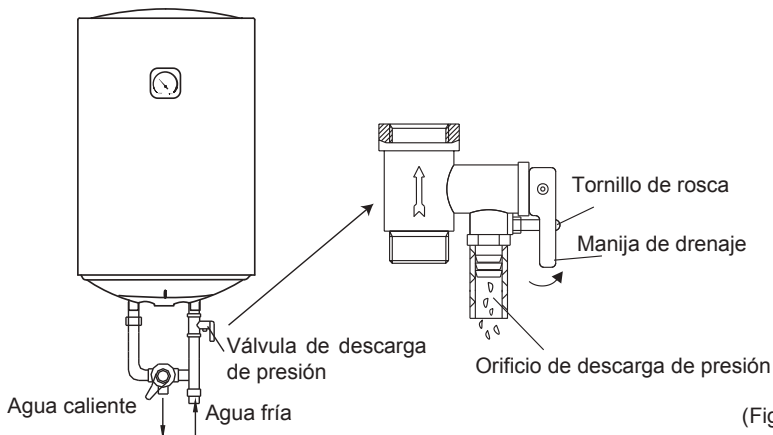
TITULO	PÁGINA
1.PRECAUCIONES.....	(2)
2.INTRODUCCIÓN DEL PRODUCTO	(3)
3.INSTALACIÓN DE LA UNIDAD	(5)
4.MÉTODOS DE UTILIZACIÓN	(7)
5.MANTENIMIENTO	(7)
6.RESOLUCIÓN DE PROBLEMAS	(8)
7.INFORMACIÓN DE PRODUCTO REGULACIÓN EU.....	(9)
8.DESCRIPCION ANEXO I	(13)

1. PRECAUCIONES

Antes de instalar este termocalefón, revisar y confirmar que la conexión a tierra del toma corriente se encuentra instalado a tierra correctamente. De lo contrario, el termocalefón no podrá ser instalado ni utilizado. No utilizar extensiones de conexión. Si se utiliza el termocalefón con una instalación realizada de manera incorrecta, podrían generarse lesiones serias y pérdidas de propiedad.

Precauciones Especiales

- El toma corriente de abastecimiento debe estar conectado a tierra de manera segura. La corriente nominal del toma corriente no debe ser inferior a 10A. El toma corriente y el enchufe deben permanecer secos para prevenir fugas eléctricas. Controlar frecuentemente que los enchufes se encuentren bien conectados al toma corriente. El método de control debe realizarse de la siguiente manera: insertar el enchufe de abastecimiento en el toma corriente, luego de utilizar la unidad durante media hora, apagarla y desconectar el enchufe. Controlar si el enchufe quema al contacto con la mano. Si lo hiciera (esto sucede por encima de los 50°C), sírvase cambiar a otro toma corriente bien conectado a tierra para evitar que el enchufe se dañe, si hubiese un mal contacto, podrían generarse accidentes personales o incendios.
- La altura de la instalación del toma corriente no debe ser inferior a 1.8m.
- La pared en la cual se instale el termocalefón, deberá poder soportar el doble del peso del calefón completamente lleno de agua sin deformaciones o grietas. De lo contrario, se deben tomar otras medidas de refuerzo.
- La válvula de descarga de presión que viene con el termocalefón, debe ser instalada en la entrada de agua fría de este calefón (ver figura 1), y asegurarse de no exponerla al vapor. El agua puede derramarse de la válvula de descarga de presión, por lo tanto el tubo de escape debe abrirse en un costado; la válvula de descarga de presión se debe revisar y limpiar regularmente, de taf modo a asegurarse de que no esté bloqueada.



(Figura 1)

- Al utilizar el termocalefón por primera vez (o al utilizarlo por primera vez luego de realizar el mantenimiento), el mismo no puede ser encendido hasta que haya sido llenado de agua por completo. Al llenar el agua, al menos una de las válvulas de salida del termocalefón debe ser abierta para liberar el aire. Esta válvula puede ser cerrada luego de que el termocalefón se llene de agua.
- El termocalefón no está diseñado para ser utilizado por personas (incluyendo niños) con discapacidades físicas, sensoriales o mentales disminuidas, o falta de experiencia y conocimiento con respecto al mismo, a menos que hayan sido supervisados o instruidos acerca de la utilización del aparato por una persona responsable de su seguridad. Los niños deben ser supervisados para asegurarse de que no jueguen con el termo calefón.

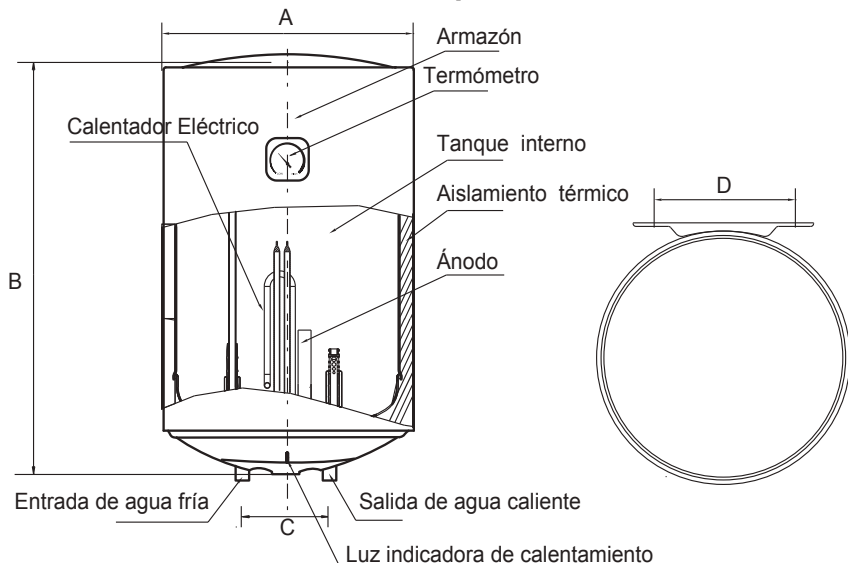
- Durante el proceso de calentamiento, podrían caer gotas del orificio de descarga de presión de las válvulas multifuncionales. Este es un fenómeno normal. Si hay una fuga grande de agua, sírvase contactar con el centro de atención al cliente para realizar reparaciones. El orificio de descarga de presión no debe ser bloqueado bajo ninguna circunstancia; de lo contrario, el termocalefón podría ser dañado o generar accidentes.
- El tubo de drenaje conectado al orificio de descarga de presión se debe mantener hacia abajo.
- Ya que la temperatura del agua en el interior del termocalefón puede llegar a los 75°C, el agua caliente no debe ser expuesta al cuerpo humano al ser encendida recientemente. Ajustar la temperatura del agua a una temperatura adecuada para evitar quemaduras.
- Desatornillar el tornillo de rosca en la válvula de seguridad multifuncional, y levantar la manija del drenaje hacia arriba (Ver Figura 1) para drenar el agua del tanque interno.
- Si el cable de alimentación flexible se daña, debe ser reemplazado por un cable de alimentación especial proveído por el fabricante y colocado por el personal de mantenimiento autorizado.
- Si alguna pieza o componente de este termocalefón eléctrico se dañara, sírvase contactar con el centro de atención al cliente para realizar reparaciones.

2. INTRODUCCION DEL PRODUCTO

2.1 Parámetros del Rendimiento Técnico

Modelo	Volumen (L)	Potencia Nominal (W)	Voltaje nominal (ACV)	Presión nominal (MPa)	Temperatura máxima de agua (°C)	Tipo eléctrico	Grado de impermeabilidad
OHTC30	30	1500	220-240	0.75	75	I	IPX4
OHTC50	50	1500	220-240	0.75	75	I	IPX4
OHTC80	80	1500	220-240	0.75	75	I	IPX4
OHTC100	100	1500	220-240	0.75	75	I	IPX4

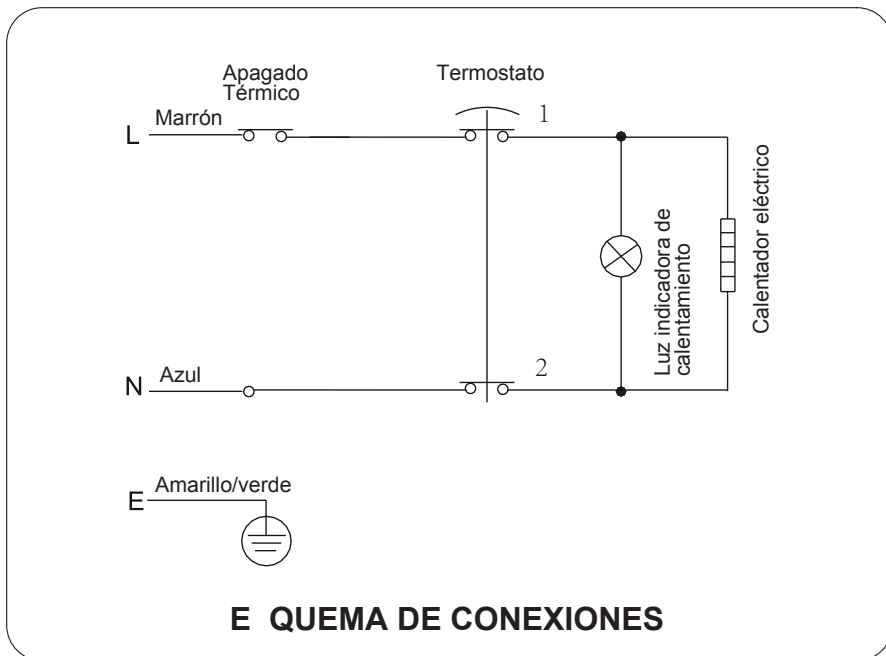
2.2 Breve introducción a la estructura del producto



	OHTC30	OHTC50	OHTC80	OHTC100
A	340	385	450	450
B	594	760	809	974
C	100	100	100	100
D	200	200	200	200

(Nota: Todas las dimensiones son en mm)

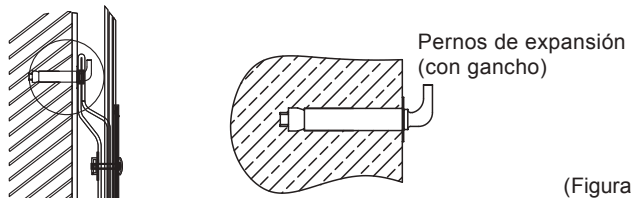
2.3 Diagrama del Cableado interno



3. INSTALACION DE LA UNIDAD

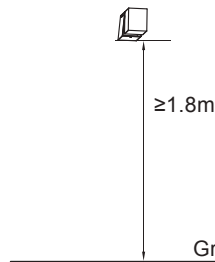
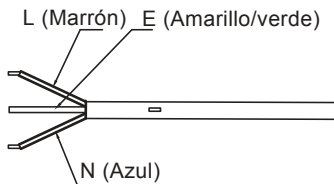
3.1 Instrucciones de instalación

- ① Este termocalefón eléctrico deberá ser instalado sobre una pared sólida. Si la pared no puede soportar la carga igual a dos veces el peso del termocalefón totalmente lleno de agua, se debe instalar un soporte especial.
En caso de que la pared tenga ladrillos huecos, asegurarse de llenarlos por completo con cemento de hormigón.
- ② Luego de seleccionar el lugar adecuado para ubicar el aparato, determinar las posiciones de los dos orificios de instalación que se utilizan para los pernos de expansión con ganchos (determinar las posiciones de acuerdo con las especificaciones del producto que haya elegido). Hacer dos hoyos en la pared con la profundidad necesaria utilizando un taladro con un tamaño que esté de acuerdo a los pernos de expansión que vienen con la máquina; insertar los tornillos, con el gancho apuntando hacia arriba, asegurar las tuercas para fijar firmemente, y luego colgar del mismo al termo calefón eléctrico (ver la Figura 2).



(Figura 2)

- ③ Instale en la pared la toma de corriente, cuyos requisitos son los siguientes: 250V/10, monofásica, tres electrodos. Es recomendable colocar la toma de corriente a la derecha por encima del calentador. La altura de la toma de corriente al suelo no debe ser menor de 1.8 m (ver la Figura 3).

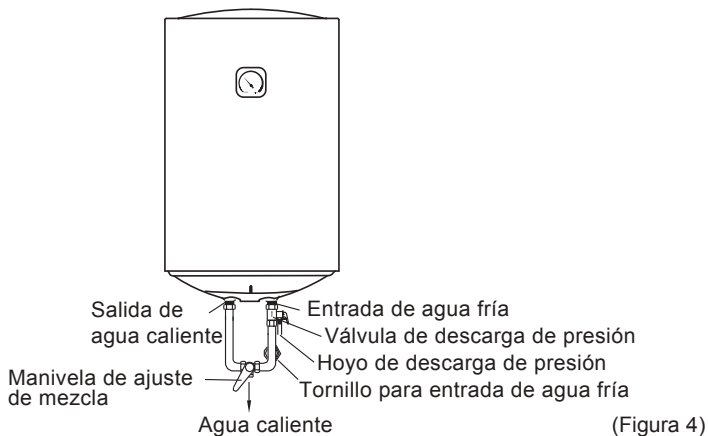


(Figura 3)

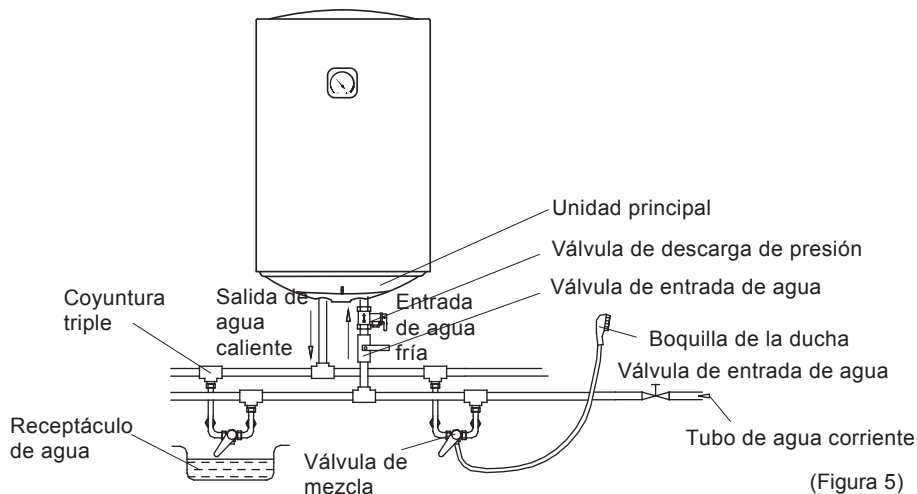
- ④ Si el baño es muy pequeño, el termocalefón puede ser colocado en otro lugar pero que no se encuentre bajo la exposición solar directa o bajo exposición a la lluvia. Sin embargo, para reducir las pérdidas de calor de las tuberías, la posición de la instalación del termocalefón debe estar lo más cerca de donde se vaya a utilizar el agua caliente.

3.2 Conexiones de Tuberías

- ① La dimensión de cada tubo es de G1/2"; la presión masiva de entrada debe utilizar Pa como unidad; la presión mínima de entrada debe utilizar Pa como unidad.
- ② La conexión de la válvula de descarga de presión con el calentador en la entrada del calentador de agua.
- ③ Para evitar fugas al conectar los tubos, se deben colocar las juntas de goma proporcionadas con el termocalefón en el extremo de las roscas para asegurar que se encuentren libres de fugas (ver Figura 4).



- ④ Si los usuarios desean realizar un sistema de abastecimiento de vía múltiple, referirse al método ilustrado en la figura 5 para la conexión de tuberías.



NOTA

Asegurarse de utilizar todos los accesorios provistos por nuestra compañía para instalar este termocalefón eléctrico. Este termocalefón eléctrico no puede ser colgado en el soporte hasta asegurarse de que sea firme y confiable. De lo contrario, el termocalefón eléctrico podría caer de la pared, generando daños al termocalefón, así como también serios accidentes y lesiones. Al determinar el lugar en el cual serán colocados los hoyos de los pernos, se debe asegurar de que haya una distancia no inferior a 0.2m del lado derecho del calentador eléctrico, a fin de dejar espacio para el trabajo de mantenimiento de ser necesario.

4. METODOS DE UTILIZACION

- Abrir primeramente cualquiera de las válvulas de salida de agua del termocalefón, luego, abrir la válvula de entrada. El termocalefón se llenará de agua. Cuando el agua se salga del tubo de salida, significa que el termocalefón se ha llenado de agua por completo y la válvula de salida puede ser cerrada.



NOTA

Durante el funcionamiento normal del aparato, la válvula de entrada debe ser mantenida abierta.

- Insertar el enchufe en el toma corriente, las dos luces indicadoras se encenderán instantáneamente.
- El termostato controlará automáticamente la temperatura. Cuando la temperatura del agua que se encuentra en el interior del aparato haya llegado a la temperatura establecida, se apagará automáticamente, cuando la temperatura del agua baje de lo establecido, el aparato se encenderá automáticamente para que vuelva a la temperatura asignada.

5. MANTENIMIENTO



ADVERTENCIA

Para evitar riesgos de choques eléctricos, cortar la corriente eléctrica antes de realizar el trabajo de mantenimiento.

- Revisar el cable de alimentación y el toma corriente lo más a menudo posible. Asegurarse de que los contactos eléctricos y las conexiones a tierra se encuentren en buen estado. El cable y el toma corriente no se deben calentar excesivamente.
- Si no se va a utilizar el termocalefón durante un período prolongado de tiempo, especialmente en regiones con temperatura baja (bajo 0°C), es necesario drenar el agua del termocalefón para prevenir daños al mismo debido al congelamiento del agua dentro del tanque. (Referirse a Precauciones en este manual para saber el método de drenar el agua del contenedor interno).
- Para asegurar un funcionamiento confiable prolongado del termocalefón, es necesario limpiar el tanque interno de manera regular y extraer los sedimentos del calentador eléctrico del termocalefón. También hay que revisar las condiciones (de desgaste completo o no) del ánodo de magnesio y si fuese necesario, reemplazarlo con uno nuevo en caso de desgaste total. La frecuencia en la limpieza del tanque depende de la dureza del agua del territorio. La limpieza debe ser realizada por agentes de servicio autorizados. Puede consultar con el vendedor la dirección del centro de servicios más cercano.

6. RESOLUCION DE PROBLEMAS

Fallas	Causa	Solución
El indicador de calor está apagado	Falla en el regulador de temperatura	Contacte al servicio técnico o personal especializado.
No sale agua caliente	1. Se corta la fuente de agua corriente 2. La presión hidráulica es demasiado baja. 3. La válvula de entrada de agua no está abierta	1. Espere a que se restaure el suministro de agua. 2. Utilice el termotanque cuando aumente la presión. 3. Abra la válvula de entrada de agua.
La temperatura del agua es muy caliente	Falla en el sistema de control de temperatura.	Contacte al servicio técnico o personal especializado.
Escape de agua	Verifique los empalmes de cada manguera	Selle los empalmes



NOTA

Las piezas ilustradas en este manual de uso y mantenimiento son indicativas solamente, las piezas provistas con el producto pueden diferir de las ilustraciones. Este producto está diseñado solo para ser utilizado en el hogar. Las especificaciones están sujetas a cambios sin previo aviso

7. INFORMACIÓN DE PRODUCTO REGULACIÓN EU

El calentador de agua eléctrico **OHTC30** de la compañía **Candy Hoover Group srl** ha sido testado con el perfil de carga declarado “**S**”

El producto cumple y se corresponde con los requisitos de las normas del Reglamento (No 814/2013) para calentadores eléctricos de agua de almacenamiento y logró una eficiencia energética de calentamiento de agua de

$\eta_{wh}=32\%$

Que corresponde a la clase de eficiencia de calentamiento de agua “**C**”

de acuerdo con el Anexo II Clases de eficiencia energética, artículo 1 del Reglamento (No 812/2013)

La evaluación de los resultados de este informe con respecto a la conformidad con el Reglamento de la Comisión relacionados (No 812/2013 y 814/2019) es sólo una parte de la evaluación de la conformidad para lograr la etiqueta ERP.

Consumo de electricidad Q_{elec} , Eficiencia energética de calentamiento de agua η_{wh} y agua mezclada a 40 °C (V_{40})

Descripción	Parámetro	Valor	Unidad
Valor k	k	0.23	
Conformidad con el control inteligente smart	smart	0	
Factor de control inteligente	SCF	0	
Coefficiente de conversión	CC	2.5	
Factor de corrección ambiente	Q_{cor}	-0.391	kWh
Energía de referencia	Q_{ref}	2.1	kWh
Contenido de energía útil	Q_{H2O}	2.137	kWh
Ratio de corrección Energía Referencia/Util	Q_{ref}/Q_{H2O}	0.983	kWh
Consumo diario de electricidad (medido)	Q_{test_elec}	3.003	kWh
Temperatura del agua al inicio del ciclo de medición de 24h	T3	63.3	°C
Temperatura del agua al final del ciclo de medición de 24h	T5	68.3	°C
Capacidad de Almacenamiento	M_{act}	30.1	kg
Capacidad de Almacenamiento	C_{act}	30.1	L
Consumo diario de electricidad	Q_{elec}	2.779	kWh
Eficiencia Energética de Calentamiento de Agua	η_{wh}	32.0	
Annual Electricity Consumption	AEC	576	kWh
Clase de Eficiencia Energética		C	
Temperatura del agua con grifos cerrados	T_{set}	63	°C
Temperatura media del agua en la salida de agua caliente	θ'_p	62.6	°C
Temperatura media del agua en la entrada de agua fría	θ_c	10.4	°C
Valor normalizado de la media de temperatura	θ_p	62.6	°C
Volumen de agua calentada al menos 40° C	V_{40exp}	25	L
Agua mixta a 40 °C	V_{40}	44	L

El calentador de agua eléctrico **OHTC50** de la compañía **Candy Hoover Group srl** ha sido testado con el perfil de carga declarado **“M”**

El producto cumple y se corresponde con los requisitos de las normas del Reglamento (No 814/2013) para calentadores eléctricos de agua de almacenamiento y logró una eficiencia energética de calentamiento de agua de

$\eta_{wh}=36\%$

Que corresponde a la clase de eficiencia de calentamiento de agua **“C”**

de acuerdo con el Anexo II Clases de eficiencia energética, artículo 1 del Reglamento (No 812/2013)

La evaluación de los resultados de este informe con respecto a la conformidad con el Reglamento de la Comisión relacionados (No 812/2013 y 814/2019) es sólo una parte de la evaluación de la conformidad para lograr la etiqueta ERP.

Consumo de electricidad **Q_{elec}** , Eficiencia energética de calentamiento de agua **η_{wh}** y agua mezclada a 40 °C (V40)

Descripción	Parámetro	Valor	Unidad
Valor k	k	0.23	
Conformidad con el control inteligente smart	smart	0	
Factor de control inteligente	SCF	0	
Coefficiente de conversión	CC	2.5	
Factor de corrección ambiente	Q_{cor}	-0.480	kWh
Energía de referencia	Q_{ref}	5.845	kWh
Contenido de energía útil	Q_{H2O}	5.945	kWh
Ratio de corrección Energía Referencia/Util	Q_{ref}/Q_{H2O}	0.983	kWh
Consumo diario de electricidad (medido)	Q_{test_elec}	6.963	kWh
Temperatura del agua al inicio del ciclo de medición de 24h	T3	63	°C
Temperatura del agua al final del ciclo de medición de 24h	T5	65.9	°C
Capacidad de Almacenamiento	M_{act}	50.1	kg
Capacidad de Almacenamiento	C_{act}	50.1	L
Consumo diario de electricidad	Q_{elec}	6.680	kWh
Eficiencia Energética de Calentamiento de Agua	η_{wh}	36.0	
Annual Electricity Consumption	AEC	1425	kWh
Clase de Eficiencia Energética		C	
Temperatura del agua con grifos cerrados	T_{set}	63	°C
Temperatura media del agua en la salida de agua caliente	θ'_p	62.3	°C
Temperatura media del agua en la entrada de agua fría	θ_c	10.5	°C
Valor normalizado de la media de temperatura	θ_p	62.3	°C
Volumen de agua calentada al menos 40° C	V_{40exp}	40	L
Agua mixta a 40 °C	V_{40}	69	L

El calentador de agua eléctrico **OHTC80** de la compañía **Candy Hoover Group srl** ha sido testado con el perfil de carga declarado **“M”**

El producto cumple y se corresponde con los requisitos de las normas del Reglamento (No 814/2013) para calentadores eléctricos de agua de almacenamiento y logró una eficiencia energética de calentamiento de agua de

$\eta_{wh}=36\%$

Que corresponde a la clase de eficiencia de calentamiento de agua **“C”**

de acuerdo con el Anexo II Clases de eficiencia energética, artículo 1 del Reglamento (No 812/2013)

La evaluación de los resultados de este informe con respecto a la conformidad con el Reglamento de la Comisión relacionados (No 812/2013 y 814/2019) es sólo una parte de la evaluación de la conformidad para lograr la etiqueta ERP.

Consumo de electricidad Q_{elec} , Eficiencia energética de calentamiento de agua η_{wh} y agua mezclada a 40 °C (V40)

Descripción	Parámetro	Valor	Unidad
Valor k	k	0.23	
Conformidad con el control inteligente smart	smart	0	
Factor de control inteligente	SCF	0	
Coefficiente de conversión	CC	2.5	
Factor de corrección ambiente	Q_{cor}	-0.476	kWh
Energía de referencia	Q_{ref}	5.845	kWh
Contenido de energía útil	Q_{H2O}	5.949	kWh
Ratio de corrección Energía Referencia/Util	Q_{ref}/Q_{H2O}	0.983	kWh
Consumo diario de electricidad (medido)	Q_{test_elec}	7.986	kWh
Temperatura del agua al inicio del ciclo de medición de 24h	T3	63.3	°C
Temperatura del agua al final del ciclo de medición de 24h	T5	76.1	°C
Capacidad de Almacenamiento	M_{act}	80.2	kg
Capacidad de Almacenamiento	C_{act}	80.2	L
Consumo diario de electricidad	Q_{elec}	6.673	kWh
Eficiencia Energética de Calentamiento de Agua	η_{wh}	36.1	
Annual Electricity Consumption	AEC	1424	kWh
Clase de Eficiencia Energética		C	
Temperatura del agua con grifos cerrados	T_{set}	63	°C
Temperatura media del agua en la salida de agua caliente	θ'_p	62.4	°C
Temperatura media del agua en la entrada de agua fría	θ_c	10.4	°C
Valor normalizado de la media de temperatura	θ_p	62.4	°C
Volumen de agua calentada al menos 40° C	V_{40exp}	52	L
Agua mixta a 40 °C	V_{40}	91	L

El calentador de agua eléctrico **OHTC100** de la compañía **Candy Hoover Group srl** ha sido testado con el perfil de carga declarado **“M”**

El producto cumple y se corresponde con los requisitos de las normas del Reglamento (No 814/2013) para calentadores eléctricos de agua de almacenamiento y logró una eficiencia energética de calentamiento de agua de

$\eta_{wh}=36\%$

Que corresponde a la clase de eficiencia de calentamiento de agua **“C”**

de acuerdo con el Anexo II Clases de eficiencia energética, artículo 1 del Reglamento (No 812/2013)

La evaluación de los resultados de este informe con respecto a la conformidad con el Reglamento de la Comisión relacionados (No 812/2013 y 814/2019) es sólo una parte de la evaluación de la conformidad para lograr la etiqueta ERP.

Consumo de electricidad Q_{elec} , Eficiencia energética de calentamiento de agua η_{wh} y agua mezclada a 40 °C (V40)

Descripción	Parámetro	Valor	Unidad
Valor k	k	0.23	
Conformidad con el control inteligente smart	smart	0	
Factor de control inteligente	SCF	0	
Coefficiente de conversión	CC	2.5	
Factor de corrección ambiente	Q_{cor}	-0.456	kWh
Energía de referencia	Q_{ref}	5.845	kWh
Contenido de energía útil	Q_{H2O}	5.952	kWh
Ratio de corrección Energía Referencia/Util	Q_{ref}/Q_{H2O}	0.982	kWh
Consumo diario de electricidad (medido)	Q_{test_elec}	8.972	kWh
Temperatura del agua al inicio del ciclo de medición de 24h	T3	46.1	°C
Temperatura del agua al final del ciclo de medición de 24h	T5	64.9	°C
Capacidad de Almacenamiento	M_{act}	101.2	kg
Capacidad de Almacenamiento	C_{act}	101.2	L
Consumo diario de electricidad	Q_{elec}	6.638	kWh
Eficiencia Energética de Calentamiento de Agua	η_{wh}	36.2	
Annual Electricity Consumption	AEC	1418	kWh
Clase de Eficiencia Energética		C	
Temperatura del agua con grifos cerrados	T_{set}	46	°C
Temperatura media del agua en la salida de agua caliente	θ'_p	45.4	°C
Temperatura media del agua en la entrada de agua fría	θ_c	10.3	°C
Valor normalizado de la media de temperatura	θ_p	45.4	°C
Volumen de agua calentada al menos 40° C	V_{40exp}	74	L
Agua mixta a 40 °C	V_{40}	87	L

8. DESCRIPCION ANEXO I



DESCRIPCION ANEXO I

- (1) Nombre o marca comercial del proveedor.
- (2) Identificación del modelo del proveedor.
- (3) el perfil de carga declarada, expresada por la letra apropiada y el uso típico de acuerdo con la Tabla 3 del Anexo VII.
- (4) la clase de eficiencia energética del calentamiento de agua del modelo, determinada de acuerdo con el punto 1 del anexo II.
- (5) la eficiencia energética del calentamiento de agua de en%, redondeado al entero más cercano.
- (6) el consumo eléctrico anual en kWh en términos de energía final y / o el consumo de combustible anual en GJ en términos de GCV, redondeado al número entero más próximo y calculado de conformidad con el punto 4 del anexo VIII.
- (7) los ajustes de temperatura del termostato del calentador de agua, de acuerdo como se coloca en el mercado.
- (8) el consumo diario de electricidad Q elec en kWh, redondeado a tres decimales.
- (9) del perfil de carga declarada, expresada por la letra correspondiente de acuerdo con la Tabla 1 del presente anexo.
- (10) el agua mezclada a 40 °C V40 en litros, redondeado al entero más cercano
- (11) la temperatura máxima del termostato.
- (12) el modo "fuera de la caja" es la condición de funcionamiento estándar, el fabricante establece este modo a nivel de la fábrica, que se activa inmediatamente después de la instalación del aparato, apto para el uso normal por el usuario final de acuerdo con el patrón del agua para el que el producto ha sido diseñado y puesto en el mercado.
- (13) el calentamiento de agua de la eficiencia energética en%, redondeado a un decimal.
- (14) Todas las precauciones específicas para su montaje, instalación y mantenimiento se describen en las instrucciones de uso e instalación. Lea y siga las instrucciones de uso e instalación.
- (15) Todos los datos que se incluyen en la información del producto se determinaron mediante la aplicación de las especificaciones de las directivas europeas pertinentes. Las diferencias de información sobre los productos señalados pueden ser causa de diferentes condiciones de ensayo. Sólo los datos que contiene esta información de producto son válidos y están en vigor.

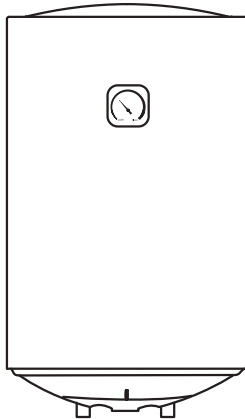
**El producto está sujeto a cambios sin previo aviso.
Por favor, mantenga adecuadamente este manual.**

Otsein

MANUAL DE INSTRUÇÃO

**Aquecedor Elétrico de
Água com Armazenamento**

Modelo: OHTC30
OHTC50
OHTC80
OHTC100



O diagrama acima serve apenas como referência.
A aparência do produto real deve ser tomada como padrão.

Observação Geral

- A instalação e manutenção têm de ser efetuadas por profissionais qualificados ou técnicos autorizados pela .
- O fabricante não será responsável por qualquer dano ou avaria causada por instalação errada ou incumprimento das seguintes instruções neste panfleto.
- Para orientações mais detalhadas sobre instalação e manutenção, por favor consulte os capítulos seguintes.

ÍNDICE

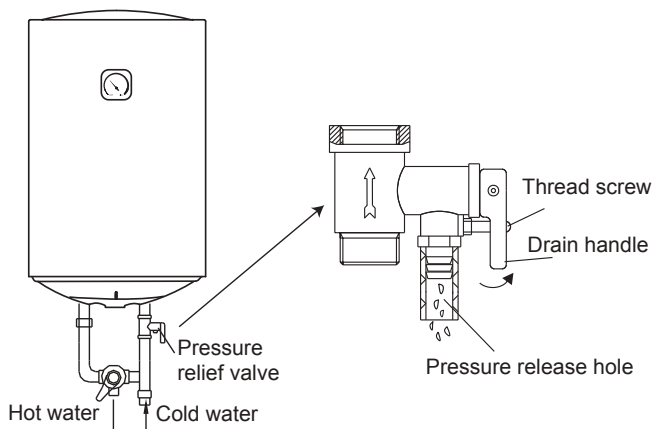
TÍTULO	PÁGINA
1.PRECAUÇÕES	(2)
2.INTRODUÇÃO DO PRODUTO	(3)
3.INSTALAÇÃO	(5)
4.MÉTODOS DE USO.....	(7)
5.MANUTENÇÃO.....	(7)
6.SOLUÇÃO DE PROBLEMAS	(8)
7.INFORMAÇÃO DE PRODUTO SEGUNDO A REGULAMENTAÇÃO EU	(9)
8.DESCRICÃO ANEXO I.....	(13)

1. PRECAUÇÕES

Antes de instalar o aquecedor de água, verifique e confirme que o aterramento na tomada de alimentação esteja seguramente aterrado. Caso contrário, O aquecedor de água elétrico não pode ser instalado e utilizado. Não use extensão. Instalação e a utilização incorreta do aquecedor elétrico de água pode resultar em ferimentos graves e danos nos bens.

Precauções Especiais

- A tomada de alimentação tem de ser aterrado seguramente. A corrente nominal da tomada não pode ser inferior a 16A. A tomada e a ficha devem ser mantidas secas para evitar fuga elétrica.
- A altura de instalação da tomada de alimentação não deve ser inferior a 1,8m.
- A parede na qual o aquecedor é instalado deve ser capaz de suportar uma carga superior a duas vezes do aquecedor enchido completamente com água sem distorção ou rachaduras. Senão, outras medidas de reforço devem ser tomadas.
- A válvula de alívio de pressão do aquecedor deve ser instalada na entrada de água fria do aquecedor (ver Fig.1), e não pode ser exposto no nevoeiro. A água pode sair por válvula de alívio de pressão, então o tubo de saída deve ser mantido livre de obstrução e a válvula de alívio de pressão deve ser verificada e limpa regularmente para garantir que não esteja bloqueada.



(Fig.1)

- Quando usar o aquecedor pela primeira vez (ou primeiro uso após manutenção), o aquecedor não pode ser ligado antes de ser completamente enchido com água. Quando encher água, pelo menos uma das válvulas de saída na saída do aquecedor deve ficar aberta para esvaziar o ar. Esta válvula pode ser fechada após o aquecedor ser completamente enchido com água.
- O aquecedor de água não é destinado para uso por pessoas (incluindo crianças) com capacidades físicas, sensoriais ou mentais reduzidas, ou com falta de experiência e conhecimento, a menos que eles tenham sido dados supervisão ou instruções relativas à utilização do aparelho por uma pessoa responsável pela sua segurança. As crianças devem ser supervisionadas para garantir que não brincassem com o aquecedor.
- Durante o aquecimento, gotas de água podem escorrer do buraco de libertação de pressão da válvula de alívio de pressão. Este é um fenómeno normal. Se há uma grande quantidade de vazamento, por favor, contacte centro de atendimento de clientes para reparação. O buraco de para libertação de pressão não pode ser bloqueado em nenhuma circunstância, sob pena de danificar o aquecedor, até causar acidentes.
- O tubo de drenagem conectado com o buraco de libertação de pressão tem de ser mantido com inclinação para baixo.
- Como a temperatura da água no aquecedor pode atingir até 75°C, a água quente não deve ser usada nos corpos humanos diretamente no início. Ajuste a temperatura de água a uma temperatura adequada para evitar queimaduras.

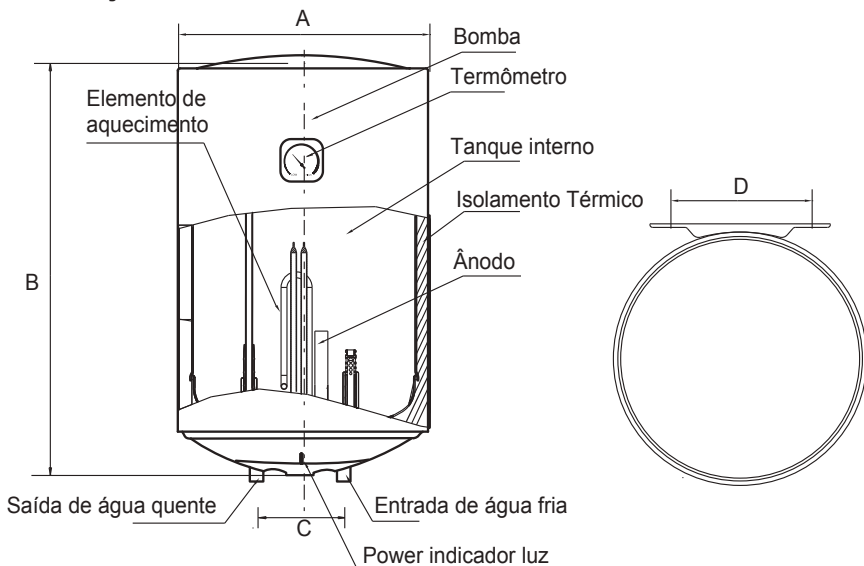
- Caso o cabo de alimentação flexível ser danificado este deve ser substituído por cabo específico fornecido pelo fabricante e pelo pessoal de manutenção profissional.
- Se qualquer parte ou componente deste aquecedor ser danificado, por favor, contate o centro de atendimento de clientes para reparação.
- O aquecedor de água não é destinado para uso por pessoas (incluindo crianças) com capacidades físicas, sensoriais ou mentais reduzidas, ou com falta de experiência e conhecimento, a menos que eles tenham sido dados supervisão ou instruções relativas à utilização do aparelho por uma pessoa responsável pela sua segurança.
- As crianças devem ser supervisionadas para garantir que não brincassem com o aquecedor.
- A pressão máxima de água da entrada é de 0,5 MPa; a mínima é de 0,1 MPa, se esta é necessária para a operação correta do aquecedor.
- Água pode sair do tubo de descarga do dispositivo de alívio de pressão, e este tubo tem de ser mantido aberto ao ar livre. O dispositivo de alívio de pressão tem de operado regularmente para remover depósitos de calcário e verificar se existe bloqueio.
- No caso de drenar a água dentro do recipiente interno, isso pode ser feita pela válvula de alívio de pressão. Retire o parafuso com rosca da válvula de alívio de pressão por girá-lo, e levante o punho de drenagem para cima. (Ver Fig. 1) Um tubo de descarga conectado ao dispositivo de alívio de pressão deve ser instalado no sentido continuamente descendente e um ambiente livre de geada.

2. INTRODUÇÃO DO PRODUTO

2.1 Parâmetros de Desempenho Técnicos

Modelo	Volume (L)	Potência Nominal (W)	Voltagem Nominal (ACV)	Pressão Nominal (MPa)	Temperatura Max. de Água (°C)	Classe de Proteção	Nível de Impermeabilidade
OHTC30	30	1500	220-240	0.75	75	I	IPX4
OHTC50	50	1500	220-240	0.75	75	I	IPX4
OHTC80	80	1500	220-240	0.75	75	I	IPX4
OHTC100	100	1500	220-240	0.75	75	I	IPX4

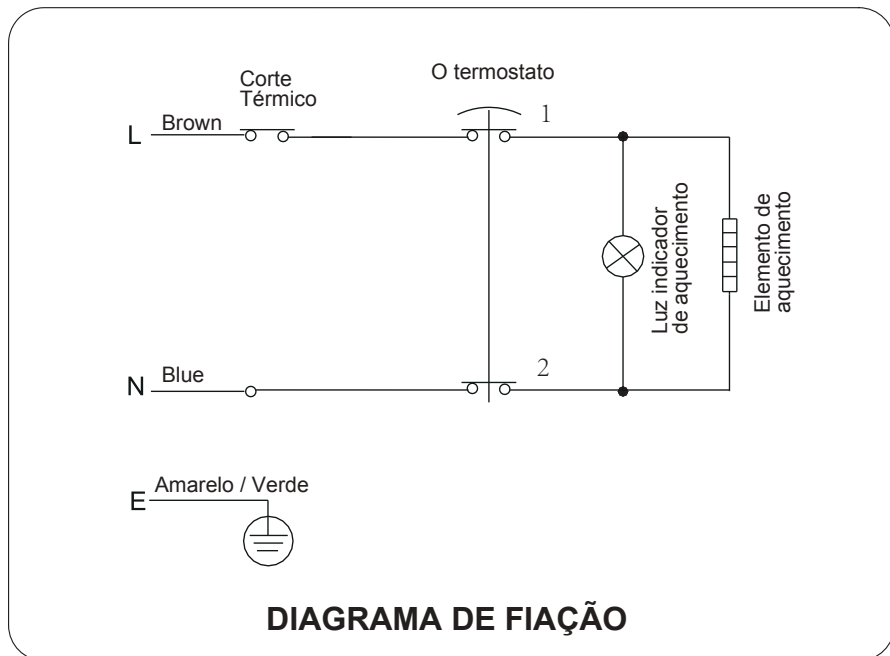
2.2 Introdução Breve da Estrutura do Produto



	OHTC30	OHTC50	OHTC80	OHTC100
A	340	385	450	450
B	594	760	809	974
C	100	100	100	100
D	200	200	200	200

(Nota: Todas as dimensões são em mm)

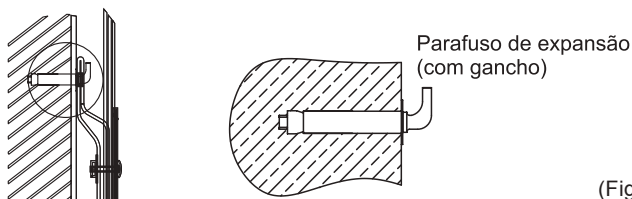
2.3 Diagrama dos Fios Internos



3. UNIT INSTALLATION

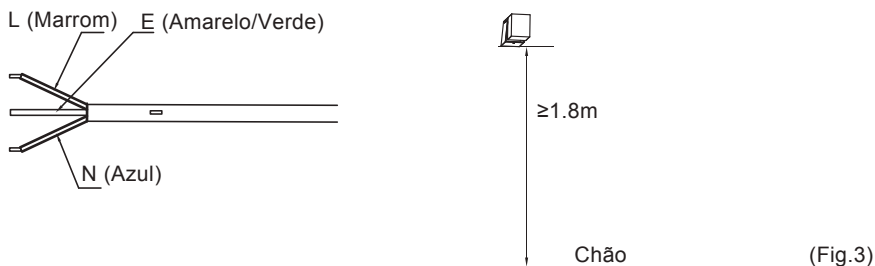
3.1 Instrução de Instalação

- ① Este aquecedor elétrico de água deve ser instalado numa parede sólida. Se a parede não consegue suportar a carga igual a duas vezes do peso total do aquecedor totalmente enchido com água, é necessário instalar um suporte especial.
Se for parede de tijolos ocos, estes devem ser enchidos com betão de cimento completamente.
- ② After selecting a proper location, determine the positions of the two install holes used for expansion bolts with hook (determined according to the specification of the product you select). Make two holes in the wall with the corresponding depth by using a chopping bit with the size matching the expansion bolts attached with the machine, insert the screws, make the hook upwards, tighten the nuts to fix firmly, and then hang the electric water heater on it (see Fig.2).



(Fig.2)

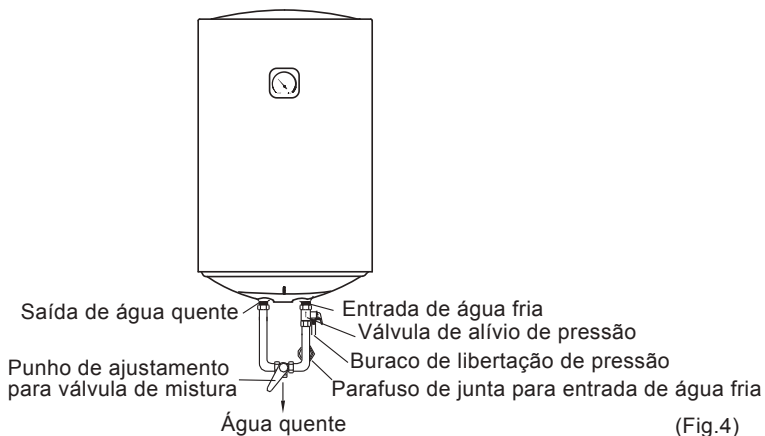
- ③ Instale a tomada de alimentação na parede. A tomada de alimentação deve ser 250V/10A. É recomendado colocar a tomada na direita sobre o aquecedor. A altura da tomada sobre o chão não deve ser inferior a 1,8m (ver Fig. 3). Se existe defeito no cabo de alimentação, o cabo deve ser substituído pelo fabricante, agência ou pessoa qualificada que é capaz fazer isso para garantir a segurança.



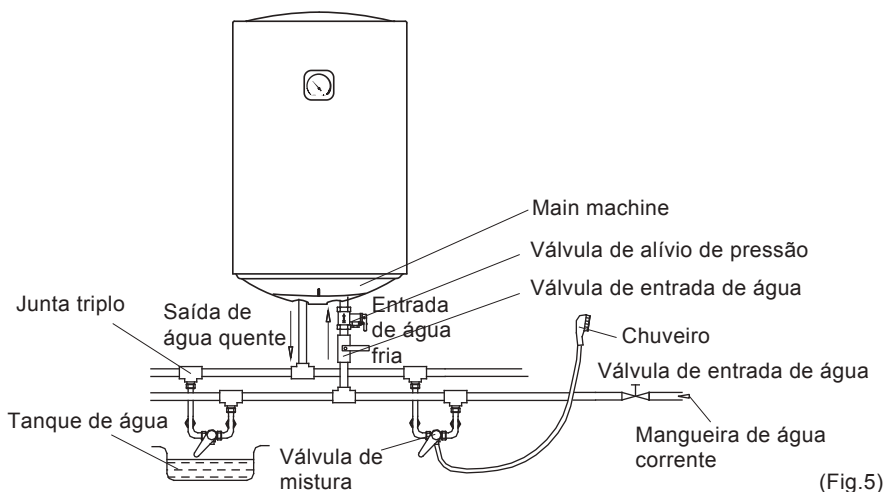
- ④ Se a casa de banho é demais pequena, o aquecedor pode ser instalado fora da casa de banho. Mas para diminuir a perda de calor na tubulação, o aquecedor deve ficar o mais perto possível da casa de banho.

3.2 Conexão das Tubulações

- ① A dimensão de todas as partes de tubo é de G1/2". A pressão máxima na entrada deve usar Pa como a unidade. A pressão mínima na entrada deve usar Pa como a unidade.
- ② Conexão da válvula de alívio de pressão com o aquecedor na entrada do aquecedor.
- ③ Quando conectar os tubos, a fim de evitar fuga, a vedação de borracha fornecida com o aquecedor tem de ser colocada no fim das roscas para garantir nas juntas não exista fuga (ver Fig.5).



- ④ Caso o utente quer ter um sistema multi-modo de alimentação, refere-se ao método mostrado na Fig. 5 para conexão dos tubos.



NOTA

Por favor, sempre use os acessórios fornecidos por nossa empresa para instalar este aquecedor elétrico de água. O aquecedor não pode ser colocado no suporte até ter confirmado que este esteja firme e confiável. Se não, o aquecedor possa cair da parede, resultante em danos do aquecedor, ou até acidentes graves de ferimento. Quando selecionar locais para buracos de parafuso tem de sempre garantir que exista uma distância não inferior a 0,2m na direita do aquecedor, para facilitar a manutenção do aquecedor, se necessário.

4. MÉTODOS DE USO

- Primeiro, abra qualquer das válvulas de saída na saída do aquecedor, e depois, abra a válvula de entrada. O aquecedor fica enchido com água. Quando água sai da mangueira de saída, isso significa que o aquecedor tem sido enchido completamente com água, e a válvula de saída pode ser fechada.



NOTA

Durante operação normal, a válvula de entrada deve ser sempre mantida aberta.

- Insere a ficha de alimentação na tomada, the two indicator lights will light up this time.
- The thermostat will automatically control the temperature. When the water temperature inside the heater has reached the set temperature, it will switch off automatically, when the water temperature falls below the set point the heater will be turned on automatically to restore the heating.

5. MANUTENÇÃO



ALERTA

Desligue a alimentação elétrica antes de fazer manutenção, para evitar perigos como choque elétrico.

- Verifique a ficha de alimentação e a tomada sempre que possível. Deve ser garantido contato elétrico seguro e aterramento apropriado. A ficha e a tomada não devem aquecer excessivamente.
- Se o aquecedor não ser usado durante um longo período de tempo, especialmente em regiões com temperatura baixa (inferior a 0°C), é necessário drenar água do aquecedor para prevenir danos ao aquecedor causados por gelação de água no tanque interno. (Refere-se a Precauções neste manual para métodos de drenar água do tanque interno).
- Para assegurar operação confiável do aquecedor durante longo tempo, é recomendado limpar o tanque interno regularmente e remover depósitos em cima do elemento de aquecimento elétrico do aquecedor, bem como verificar a condição (completamente decomposto ou não) do ânodo de magnésio e, se for necessário, substitua o com um novo no caso de decomposição completa. A frequência de limpeza do tanque depende da dureza da água local. Limpeza tem de ser efetuada por serviços de manutenção especiais. Pode pedir ao vendedor o endereço do centro de serviço mais perto.

6. SOLUÇÃO DE PROBLEMAS

Falhas	Razões	Tratamento
A luz indicadora de aquecimento está desligada.	Falhas do controlador de temperatura.	Contate com o pessoal profissional para reparação.
Não há água saindo da saída de água quente.	<ol style="list-style-type: none">1. A alimentação de água corrente está cortada.2. A pressão hidráulica está demais baixa.3. A válvula de entrada de água corrente não está aberta.	<ol style="list-style-type: none">1. Espere por restauração de abastecimento de água corrente.2. Volte a usar o aquecedor quando a pressão hidráulica tem sido aumentada.3. Abre a válvula de entrada de água corrente.
A temperatura de água está demais alta.	Falhas do sistema de controlo de temperatura.	Contate com o pessoal profissional para reparação.
Fuga de água.	Problema de vedação de junta dos tubos.	Selar as juntas.



NOTA

As peças ilustradas neste manual de uso e cuidado são apenas indicativas, e as peças fornecidas com este produto podem ser diferentes com as ilustrações. Este produto é meramente destinado para uso doméstico. As especificações são sujeitas a alterações sem aviso prévio.

7. INFORMAÇÃO DE PRODUTO SEGUNDO A REGULAMENTAÇÃO EU

O termoacumulador **OHTC30** da empresa **Candy Hoover Group srl** foi testado com um perfil de carga declarado **“S”**

O produto cumpre e corresponde aos requisitos das normas do regulamento (No 814/2013) para termoacumuladores elétricos e alcançou uma eficiência de aquecimento de água de

$\eta_{wh}=32\%$

Que corresponde à classe de eficiência de aquecimento de água **“C”** de acordo com o anexo II Classes de Eficiência Energética, artigo 1 do regulamento (No 812/2013)

A avaliação dos resultados deste relatório com respeito à conformidade com o Regulamento da Comissão relacionados (No 812/2013 e 814/2019) é apenas parte de uma avaliação de conformidade para alcançar o rótulo ERP.

O consumo de eletricidade **Q_{elec}** , Eficiência energética do termoacumulador **η_{wh}** e mistura de água a 40°C (V40)

Descrição	Parâmetro	Valor	Unidade
Valor k	k	0.23	
Conformidade do controlo inteligente	smart	0	
Fator de controlo inteligente	SCF	0	
Coefficiente de conversão	CC	2.5	
Fator de correção ambiente	Q_{cor}	-0.391	kWh
Energia de referência	Q_{ref}	2.1	kWh
Conteúdo de energia útil	Q_{H2O}	2.137	kWh
Rácio de correção de Energia Referência/útil	Q_{ref}/Q_{H2O}	0.983	kWh
Consumo diário de eletricidade (medido)	Q_{test_elec}	3.003	kWh
Temperatura da água no início do ciclo de medição de 24h	T3	63.3	°C
Temperatura da água no final do ciclo de medição de 24h	T5	68.3	°C
Volume de armazenamento	M_{act}	30.1	kg
Volume de armazenamento	C_{act}	30.1	L
Consumo diário de eletricidade (corrigido)	Q_{elec}	2.779	kWh
Eficiência energética do termoacumulador	η_{wh}	32.0	
Consumo anual de eletricidade	AEC	576	kWh
Classe de eficiência energética		C	
Temperatura da água, sem retirada de água	T_{set}	63	°C
Temperatura média da água na saída de água quente	θ'_p	62.6	°C
Temperatura média da água na entrada de água fria	θ_c	10.4	°C
Valor normalizado da temperatura média	θ_p	62.6	°C
Volume de água entregue com pelo menos 40°C	V_{40exp}	25	L
Volume calculado de água quente entregue com pelo menos 40°C	V_{40}	44	L

O termoacumulador **OHTC50** da empresa **Candy Hoover Group srl** foi testado com um perfil de carga declarado “**M**”

O produto cumpre e corresponde aos requisitos das normas do regulamento (No 814/2013) para termoacumuladores elétricos e alcançou uma eficiência de aquecimento de água de $\eta_{wh}=36\%$

Que corresponde à classe de eficiência de aquecimento de água “**C**” de acordo com o anexo II Classes de Eficiência Energética, artigo 1 do regulamento (No 812/2013)

A avaliação dos resultados deste relatório com respeito à conformidade com o Regulamento da Comissão relacionados (No 812/2013 e 814/2019) é apenas parte de uma avaliação de conformidade para alcançar o rótulo ERP.

O consumo de eletricidade Q_{elec} , Eficiência energética do termoacumulador η_{wh} e mistura de água a 40°C (V40)

Descrição	Parâmetro	Valor	Unidade
Valor k	k	0.23	
Conformidade do controlo inteligente	smart	0	
Fator de controlo inteligente	SCF	0	
Coefficiente de conversão	CC	2.5	
Fator de correção ambiente	Q_{cor}	-0.480	kWh
Energia de referência	Q_{ref}	5.845	kWh
Conteúdo de energia útil	Q_{H2O}	5.945	kWh
Rácio de correção de Energia Referência/útil	Q_{ref}/Q_{H2O}	0.983	kWh
Consumo diário de eletricidade (medido)	Q_{test_elec}	6.963	kWh
Temperatura da água no inicio do ciclo de medição de 24h	T3	63	°C
Temperatura da água no final do ciclo de medição de 24h	T5	65.9	°C
Volume de armazenamento	M_{act}	50.1	kg
Volume de armazenamento	C_{act}	50.1	L
Consumo diário de eletricidade (corrigido)	Q_{elec}	6.680	kWh
Eficiência energética do termoacumulador	η_{wh}	36.0	
Consumo anual de eletricidade	AEC	1425	kWh
Classe de eficiência energética		C	
Temperatura da água, sem retirada de água	T_{set}	63	°C
Temperatura média da água na saída de água quente	θ'_p	62.3	°C
Temperatura média da água na entrada de água fria	θ_c	10.5	°C
Valor normalizado da temperatura média	θ_p	62.3	°C
Volume de água entregue com pelo menos 40°C	V_{40exp}	40	L
Volume calculado de água quente entregue com pelo menos 40°C	V_{40}	69	L

O termoacumulador **OHTC80** da empresa **Candy Hoover Group srl** foi testado com um perfil de carga declarado “**M**”

O produto cumpre e corresponde aos requisitos das normas do regulamento (No 814/2013) para termoacumuladores elétricos e alcançou uma eficiência de aquecimento de água de $\eta_{wh}=36\%$

Que corresponde à classe de eficiência de aquecimento de água “**C**” de acordo com o anexo II Classes de Eficiência Energética, artigo 1 do regulamento (No 812/2013)

A avaliação dos resultados deste relatório com respeito à conformidade com o Regulamento da Comissão relacionados (No 812/2013 e 814/2019) é apenas parte de uma avaliação de conformidade para alcançar o rótulo ERP.

O consumo de eletricidade Q_{elec} , Eficiência energética do termoacumulador η_{wh} e mistura de água a 40°C (V40)

Descrição	Parâmetro	Valor	Unidade
Valor k	k	0.23	
Conformidade do controlo inteligente	smart	0	
Fator de controlo inteligente	SCF	0	
Coefficiente de conversão	CC	2.5	
Fator de correção ambiente	Q_{cor}	-0.476	kWh
Energia de referência	Q_{ref}	5.845	kWh
Conteúdo de energia útil	Q_{H2O}	5.949	kWh
Rácio de correção de Energia Referência/útil	Q_{ref}/Q_{H2O}	0.983	kWh
Consumo diário de eletricidade (medido)	Q_{test_elec}	7.986	kWh
Temperatura da água no inicio do ciclo de medição de 24h	T3	63.3	°C
Temperatura da água no final do ciclo de medição de 24h	T5	76.1	°C
Volume de armazenamento	M_{act}	80.2	kg
Volume de armazenamento	C_{act}	80.2	L
Consumo diário de eletricidade (corrigido)	Q_{elec}	6.673	kWh
Eficiência energética do termoacumulador	η_{wh}	36.1	
Consumo anual de eletricidade	AEC	1424	kWh
Classe de eficiência energética		C	
Temperatura da água, sem retirada de água	T_{set}	63	°C
Temperatura média da água na saída de água quente	θ'_p	62.4	°C
Temperatura média da água na entrada de água fria	θ_c	10.4	°C
Valor normalizado da temperatura média	θ_p	62.4	°C
Volume de água entregue com pelo menos 40°C	V_{40exp}	52	L
Volume calculado de água quente entregue com pelo menos 40°C	V_{40}	91	L

O termoacumulador **OHTC100** da empresa **Candy Hoover Group srl** foi testado com um perfil de carga declarado “**M**”

O produto cumpre e corresponde aos requisitos das normas do regulamento (No 814/2013) para termoacumuladores elétricos e alcançou uma eficiência de aquecimento de água de $\eta_{wh}=36\%$

Que corresponde à classe de eficiência de aquecimento de água “**C**” de acordo com o anexo II Classes de Eficiência Energética, artigo 1 do regulamento (No 812/2013)

A avaliação dos resultados deste relatório com respeito à conformidade com o Regulamento da Comissão relacionados (No 812/2013 e 814/2019) é apenas parte de uma avaliação de conformidade para alcançar o rótulo ERP.

O consumo de eletricidade Q_{elec} , Eficiência energética do termoacumulador η_{wh} e mistura de água a 40°C (V40)

Descrição	Parâmetro	Valor	Unidade
Valor k	k	0.23	
Conformidade do controlo inteligente	smart	0	
Fator de controlo inteligente	SCF	0	
Coefficiente de conversão	CC	2.5	
Fator de correção ambiente	Q_{cor}	-0.456	kWh
Energia de referência	Q_{ref}	5.845	kWh
Conteúdo de energia útil	Q_{H2O}	5.952	kWh
Rácio de correção de Energia Referência/útil	Q_{ref}/Q_{H2O}	0.982	kWh
Consumo diário de eletricidade (medido)	Q_{test_elec}	8.972	kWh
Temperatura da água no inicio do ciclo de medição de 24h	T3	46.1	°C
Temperatura da água no final do ciclo de medição de 24h	T5	64.9	°C
Volume de armazenamento	M_{act}	101.2	kg
Volume de armazenamento	C_{act}	101.2	L
Consumo diário de eletricidade (corrigido)	Q_{elec}	6.638	kWh
Eficiência energética do termoacumulador	η_{wh}	36.2	
Consumo anual de eletricidade	AEC	1418	kWh
Classe de eficiência energética		C	
Temperatura da água, sem retirada de água	T_{set}	46	°C
Temperatura média da água na saída de água quente	θ'_p	45.4	°C
Temperatura média da água na entrada de água fria	θ_c	10.3	°C
Valor normalizado da temperatura média	θ_p	45.4	°C
Volume de água entregue com pelo menos 40°C	V_{40exp}	74	L
Volume calculado de água quente entregue com pelo menos 40°C	V_{40}	87	L

8. DESCRIÇÃO ANEXO I



DESCRIÇÃO ANEXO I

- (1) Nome ou marca comercial do fornecedor.
- (2) Identificador do modelo do fornecedor.
- (3) O perfil de carga declarado, expressa pela letra correspondente e uso típico de acordo com o quadro 3 do anexo VII.
- (4) A classe de eficiência energética do termoacumuladores do modelo, determinada em conformidade com o ponto 1 do anexo II
- (5) A eficiência energética do termoacumulador em %, arredondada para o número inteiro mais próximo.
- (6) O consumo anual de eletricidade em kWh em termos de energia final e/ou consumo anual de combustível em GJ em termos de GCV, arredondado para o número inteiro mais próximo e calculado de acordo com o ponto 4 do anexo VIII.
- (7) Os ajustes de temperatura do termostato do termoacumulador, de acordo como se coloca no mercado.
- (8) O consumo elétrico diário Q_{elec} em kWh, arredondado à terceira casa decimal.
- (9) O perfil de carga declarado, expresso pela letra apropriada do acordo com o quadro 1 do presente anexo
- (10) A água misturada a 40°C V40 em litros, arredondada para o número inteiro mais próximo.
- (11) A temperatura máxima do termostato.
- (12) O modo “fora da caixa” é a condição padrão de funcionamento, o fabricante estabelece assim um nível da fábrica, o qual é imediatamente ativado após a instalação do aparelho, adequada para o uso normal pelo consumidor final, em conformidade com o padrão de água para o qual o produto foi concebido e colocado no mercado.
- (13) a eficiência energética do termoacumulador η_{wh} em %, arredondada para uma casa decimal;
- (14) Todas as precauções específicas de montagem, instalação e manutenção descritas nas instruções de utilização e instalação. Leia e siga as instruções de uso e instalação.
- (15) Todos os dados incluídos na informação do produto foram determinados através da aplicação de especificações das diretivas europeias pertinentes. As diferenças de informação sobre os produtos referidos podem ser motivo de diferentes condições de testes. Apenas os dados contidos nesta informação do produto são válidos e estão em vigor.

O produto é sujeito a alteração sem aviso prévio.
Por favor, guarde este manual apropriadamente.